

PM 47.5 SP



Gold Series

DESCRIPTION TECHNICAL FEATURES

Up to 9 hydraulic extensions, PM 47.5 SP series ensure high performance, maximum efficiency and high level of reliability.

Articulation with the exclusive PM link system, increase the crane efficiency. The crane can operate with same performance and constant outreach, in every vertical configuration of the crane. The **New Power Tronic Advance Plus** and the **new radio remote control with display** ensure extreme precision and high safety. **Maximum stability** thanks to XL outriggers (6,6 m) or XXL (8 m). 15° negative angle on secondary boom to work in narrow spaces with maximum flexibility. 395° rotation angle increases the crane productivity and with time saving. The crane can reach an horizontal outreach up to 23,40 m.

STANDARD EQUIPMENT

POWER TRONIC ADVANCES PLUS

Maximum crane performance, maximum safety in every working condition

RACK AND PINION

HYDRAULIC OUTRIGGER BOOMS

EXTENSION SEQUENCE BOOMS

SLEWING LOCK VALVE

MULTIFUNCTION RADIO REMOTE CONTROL

PROPORTIONAL HYDRAULIC CONTROL VALVE BLOCK COMPENSATED

ELECTRONIC MOMENT CONTROL DEVICE

DOUBLE LINKAGE

PM 47.5 SP



truck mounted cranes

OPTIONAL

JIB

HYDRAULIC WINCH ON CRANE

HYDRAULIC WINCH ON JIB

HOSE REEL/HOSE TRAYS

180° HYDRAULIC SWING UP
OUTRIGGERS

EQUIPMENTS SUMMARY

EQUIPMENTS	Standard	Optional
Rack and Pinion	<input type="radio"/>	
Double linkage	<input type="radio"/>	
Hydraulic outrigger booms	<input type="radio"/>	
Remote controlled stabilizers (MCS System)*		<input type="radio"/>
180° Hydraulic swing up outriggers		<input type="radio"/>
Extension sequence booms	<input type="radio"/>	
Oil cooler	<input type="radio"/>	
Proportional hydraulic control valve block compensated	<input type="radio"/>	
Radio remote control with display	<input type="radio"/>	
Regenerative valve	<input type="radio"/>	
Jib		<input type="radio"/>
Hydraulic winch on crane		<input type="radio"/>
Hydraulic winch on jib		<input type="radio"/>
Hose reel/hose trays		<input type="radio"/>
Stability Power System*		<input type="radio"/>
Safety Kit for outriggers*	<input type="radio"/>	
Ball-joint outrigger plates *		<input type="radio"/>
4 metres alarm sensor with control panel in cab *		<input type="radio"/>
Slewing limiter	<input type="radio"/>	
LMU Device: control system for manual extensions*	<input type="radio"/>	
LED work lamp		<input type="radio"/>
Top seat with radio control support		<input type="radio"/>

* Compulsory for totally CE configurations



In accordance to the EU safety standards



Certified quality management system
UNI ISO 9001:2008



In accordance to HD5S2 standard



3 years of warranty on the structural parts

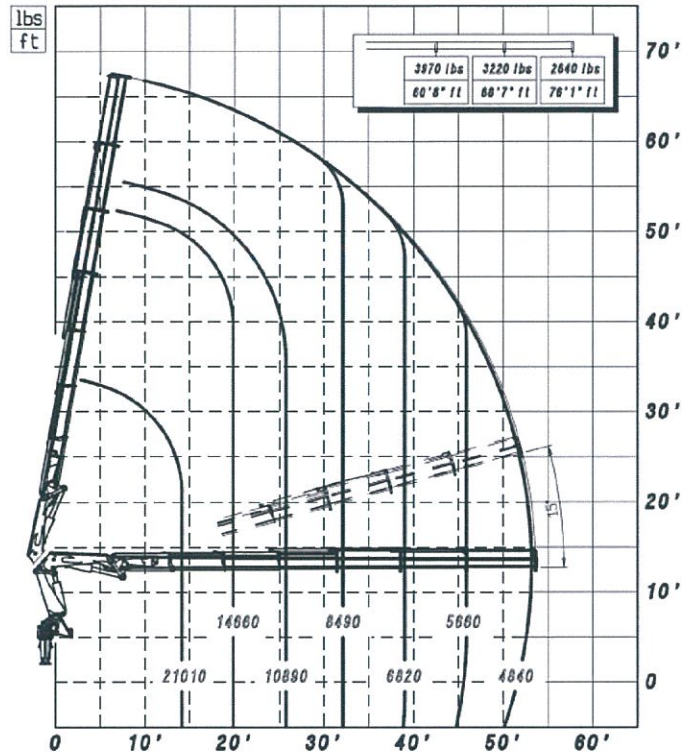
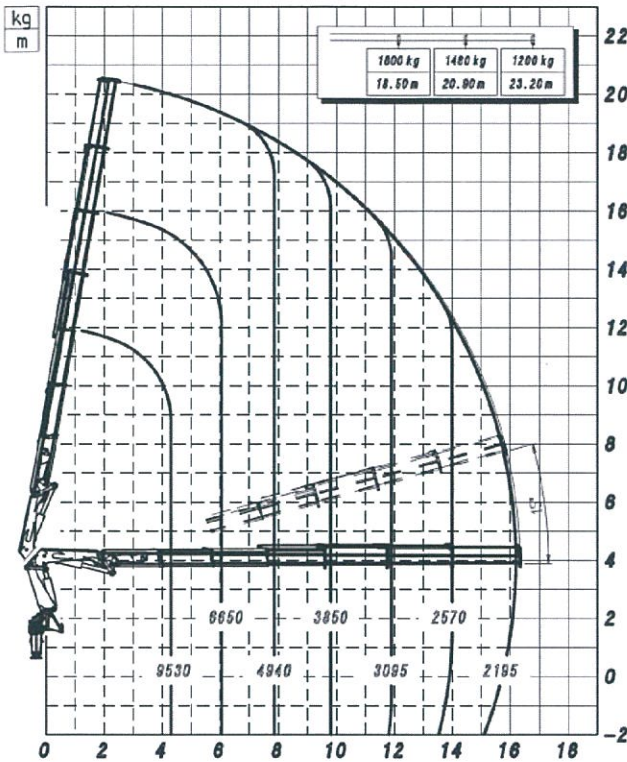
PM 47.5 SP



truck mounted cranes

PM 47526 SP

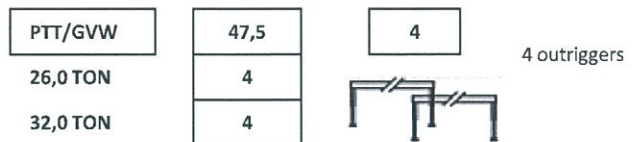
Gold Series



TECHNICAL DATA PM 47526 SP

Maximum lifting moment	tm 41	Ft lbs 296400
Hydraulic outreach		
Horizontal	m 16,35	Ft 53'8"
Vertical	m 20,70	Ft 67'11"
Hydraulic system		
Max. oil flow	l/min 80 + 100	(USA) 21 + 26
Max. pressure	Mpa 33	Psi 4790
Oil tank capacity	l 200	(USA) 53
Slewing system		
Slewing angle	395°	395°
Slewing torque	kNm 53	Ft lbs 39090
Max. working heel	%(°) 8,7(5)	%(°) 8,7(5)
Standard crane weight		
Empty oil tank	Kg 5055	Ibs 11145

TRUCKING CRANE COMBINATION



GVW: Gross Vehicle Weight

TECHNICAL DATA, DESCRIPTIONS AND ILLUSTRATIONS ARE MERELY INDICATIVE AND NOT BINDING. PM GROUP RESERVE THE RIGHT TO UPDATE THEM WITHOUT NOTICE.

PM 47.5 SP



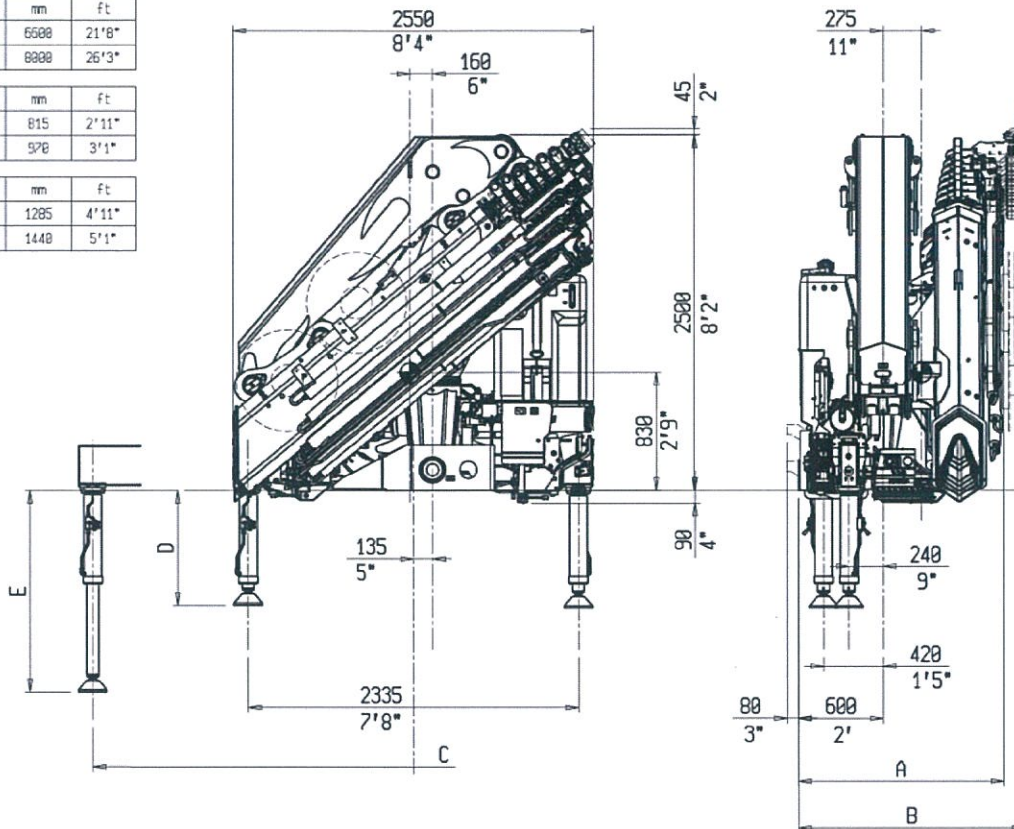
truck mounted cranes

DIMENSIONS Standard crane

C	mm	ft
XL	6900	21'8"
SXL	8000	26'3"

D	mm	ft
Fix.	815	2'11"
Rot.	920	3'1"

E	mm	ft
Fix.	1285	4'11"
Rot.	1440	5'1"



A	mm	ft
Vers.26	1420	4'8"

B				
	mm	ft	mm	ft
Vers.26	1565	5'2"	----	----

Gold Series

ORIGINAL PM PARTS

ACCESSORIES*



Variable pump



PTO



Fixed pump



Clamshell Buckets



Cross Beams for car lifting



Pallet forks



Swivel Hooks



Augers



Supplementary Outrigger



Log Grabs



Operator Baskets and Self-Levelling Platforms



Hydraulic Grapples



Hydraulic Rotors



Brick Grabs

* The installation is to be verify in relation to crane and truck configuration